

| ITEM | PART NAME | MATERIAL |
|------|---------------------|------------------|
| 1 | BODY | SA516 GR 70 |
| 2 | COVER | SA516 GR 70 |
| 3 | O-RING | BUNA-N |
| 4 | PIN | SA193 B7 ZINC PL |
| 5 | SNAP RING | STEEL ZINC PL |
| 6 | BASKET RESTRAINER | 316 SS |
| 7 | FILTER BAG RETAINER | 316 SS |
| 8 | EYE BOLT | SA193 B7 ZINC PL |
| 9 | HEX NUT | SA194 2H ZINC PL |
| 10 | WASHER | STEEL ZINC PL |
| 11 | DAVIT ASSEMBLY | CARBON STEEL |

NOTES:

1. UNITS ARE TO BE DESIGNED, FABRICATED & "U" STAMPED IN ACCORDANCE WITH ASME SECT. VIII, DIV. 1 BOILER & PRESSURE VESSEL CODE, IN COMPLIANCE TO LATEST ADDENDA.
2. INLET / OUTLET FLANGE CONNECTIONS PER ANSI B 16.5.
3. DESIGN PRESSURE: 150 PSI (MAMP)
DESIGN TEMPERATURE 250° F.
MDMT - 20° F @ 150 PSI.
4. ALL DIMENSIONS ARE IN INCHES / (MM).
5. ALL BOLT HOLES ARE TO STRADDLE NATURAL CENTERLINES.
6. APPROX. WEIGHT (DRY) 1400 LB. (635 KG.)
7. PAINT C/STL. PER HAYWARD STANDARD ES-301.

CERTIFIED FOR:

P.O. NO.:
REG. NO.:
QUOTE NO.:
TAG NO.:
VESSEL CODE: MBF-1002-CS10-100A-UT-11HD
PART NUMBER: F3AV1000004

EATON FILTRATION, LLC

900 FARMOUNT AVENUE, ELIZABETH, NEW JERSEY 07207
NAME: MAXILINE MBF1002HD FILTER VESSEL
10" 150# RF INLET / TANGENTIAL OUTLET
CARBON STEEL

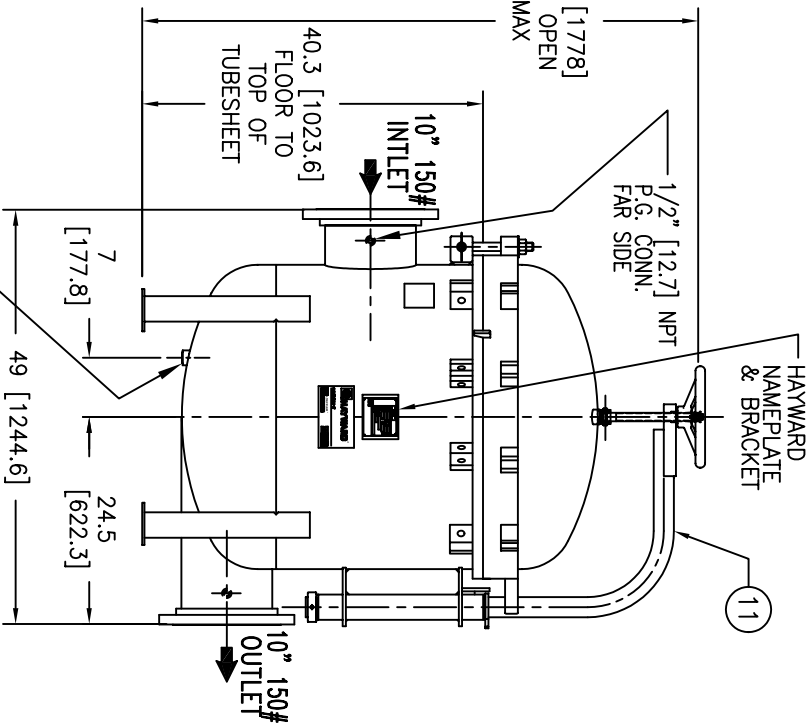
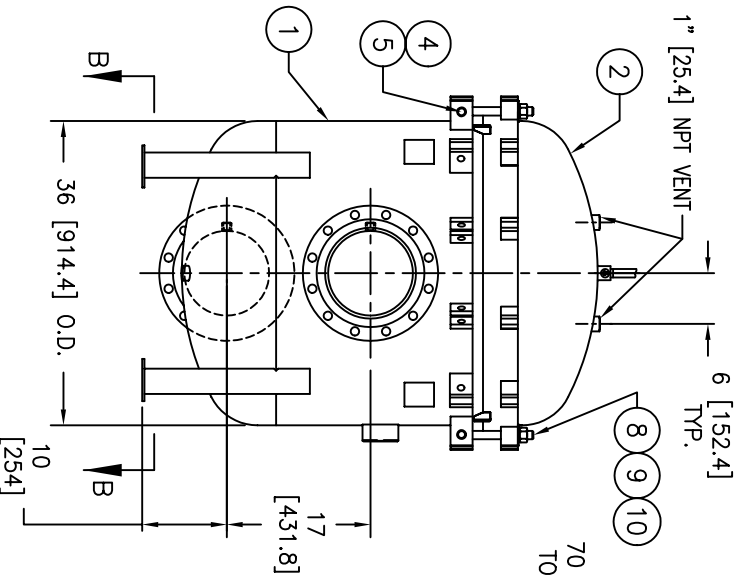


UNAUTHORIZED USE, MANUFACTURE OR REPRODUCTION IN WHOLE OR IN PART IS PROHIBITED. DRAWING, DESIGN AND OTHER DISCLOSURES PROPERTY OF EATON FILTRATION, LLC

ELECTRONIC FILE NAME: HD101010TC.DWG
REF. ECR D666 DATE 01/19/06

| DRAWN | ID | DATE | CERT. | LF | DATE | REV |
|-------|----|----------|-------|----|---------|-----|
| A | | 11/10/00 | | | 1/12/01 | D |

SIZE DWG NO. HD101010TC



HAYWARD NAMEPLATE & BRACKET

11