



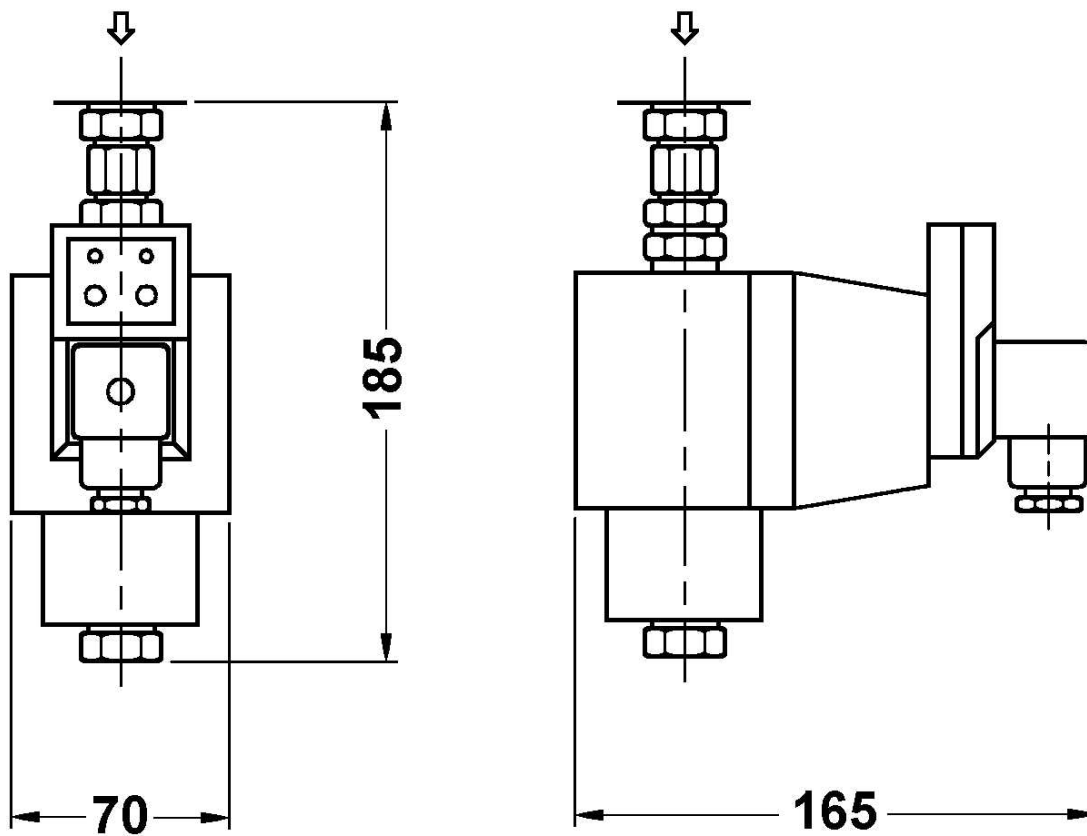
Traptronic
2/250 – 2/400

Technical Manual

Version 05— 2002/EN
Article no.: 701010

TRAPTRONIC 2/250 and 2/400

Electrical drain valve



Inlet and Outlet : G $\frac{3}{4}$

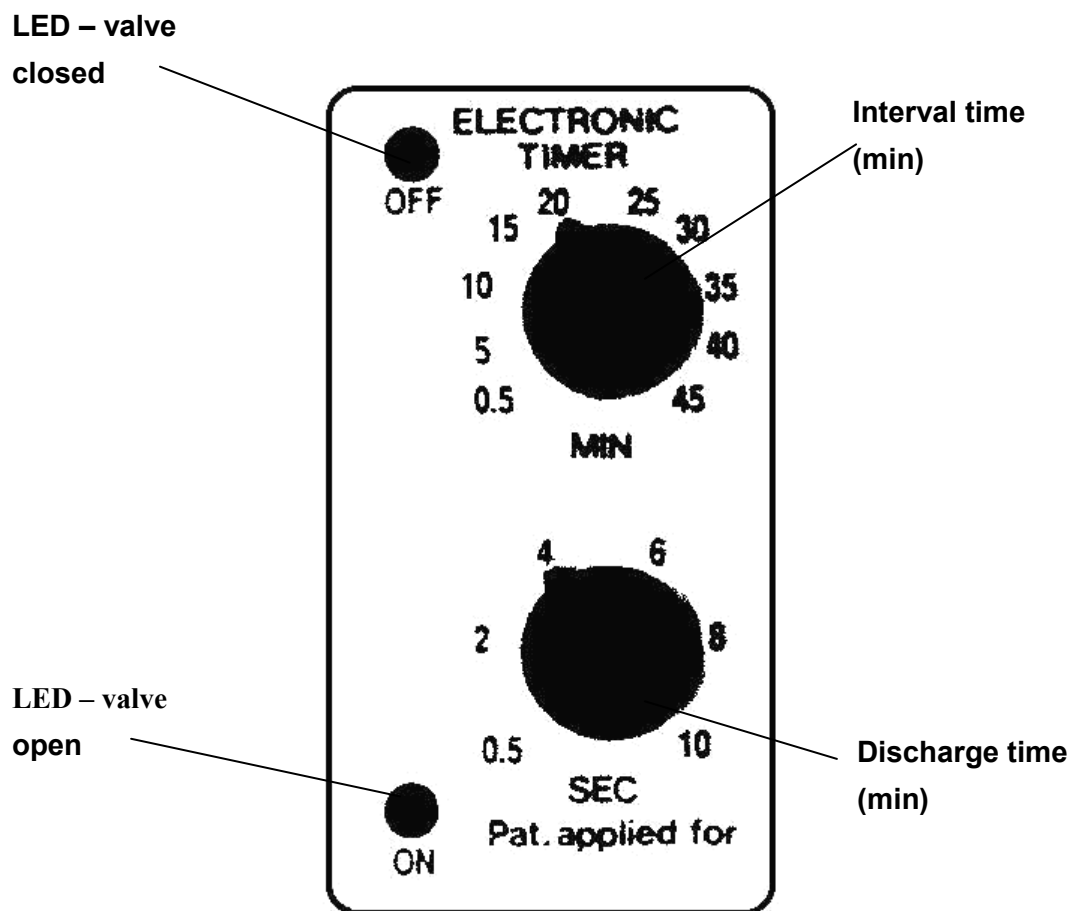
Protection : IP65

Connection : PG9

The condensate is drained off by Traptronic with solenoid valve, problemless and reliable. For example by filter, intermediate-cooler, after-cooler, pressure air vessel, water traps.

The drain off time is individual adjustable for every plant. The necessary manual control is reduced by Traptronic 2/250.

Operating controls



The setting times for the discharge interval and discharge time are dependent from working conditions.

The settings are correct if only dried air discharges at the end of the drain period.

If the duration of discharging of the dried air is too long, the cycle must be lengthened or the duration of discharge must be shortened.

If an amount of liquid still discharges at the end of the drain period, the cycle must be shortened or the drain period must be lengthened.

Maintaining

The condensate drain requires no services.



Warning!

Before any kind of maintenance or repair work is done, the unit is to be depressurized!



*Parker Hannifin Manufacturing Germany GmbH & Co. KG
Hiross Zander Division*

Im Teelbruch 118

Telefon: 0049 (0)2054/934-0

D-45219 Essen

Fax: 0049 (0)2054/934-164

Internet: www.parker.com/hzd

E-Mail: zander@parker.com

A Division of Parker Hannifin Corporation