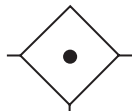


Coalescing Filter M08

B

Filters, Regulators, Lubricators



Coalescing Filter



Auto Drain



Features

- High-efficiency Removal of Water, Oil Aerosols, and Solid Particulate Contaminants Down to 0.01 ppm / wt with Minimum Pressure Drop
- Modern Design and Appearance
- Light Weight
- High Flow Capacity
- Bowl Guard
- Quick-disconnect Bowl

Specifications

Flow Capacity*		
1.0 Micron Coalescing		12.0 SCFM (5.5 dm ³ /s, ANR)
0.01 Micron Coalescing		7.5 SCFM (3.6 dm ³ /s, ANR)
Activated Carbon Adsorber		12.7 SCFM (6 dm ³ /s, ANR)
Maximum Supply Pressure		
Plastic Bowl		150 PSIG (10 bar)
Metal Bowl w/ DPI		150 PSIG (10 bar)
Metal Bowl w/o DPI		250 PSIG (17 bar)
Operating Temperature		
Plastic Bowl	14° to 125°F (-10° to 52°C)	
Metal Bowl	14° to 150°F (-10° to 65.5°C)	
Port Size	NPT / BSPP-G	1/4
Bowl Capacity		0.4 oz
Standard Filtration Micron		
	(B) .5, (C) 0.01	(D) 0.003 ppm wt**
Weight		0.24 lb. (0.11 kg)

* Inlet pressure 91.3 PSIG (6.3 bar). Pressure drop 3 PSIG (0.2 bar).

** Filtration temperature of 70°F (21°C) @ 100 PSIG (6.9 bar) with typical compressor lubricating oil and protected by Type C filter.

“M” Series Coalescing Filters, with Type “B” 0.5 micron elements: All Wilkerson Type “M” Oil Removal (Coalescing) Filters with Type “B” 0.5 micron elements exceed ISO Class 2 for maximum particle size and concentration of solid contaminants, and exceed Class 3 on maximum oil content (ppm/wt).

“M” Series Coalescing Filters, with Type “C” 0.01 micron elements: All Wilkerson Type “M” Oil Removal (Coalescing) Filters with Type “C” 0.01 micron elements exceed ISO Class 1 for maximum particle size and concentration of solid contaminants, and exceed Class 1 on maximum oil content (ppm/wt).

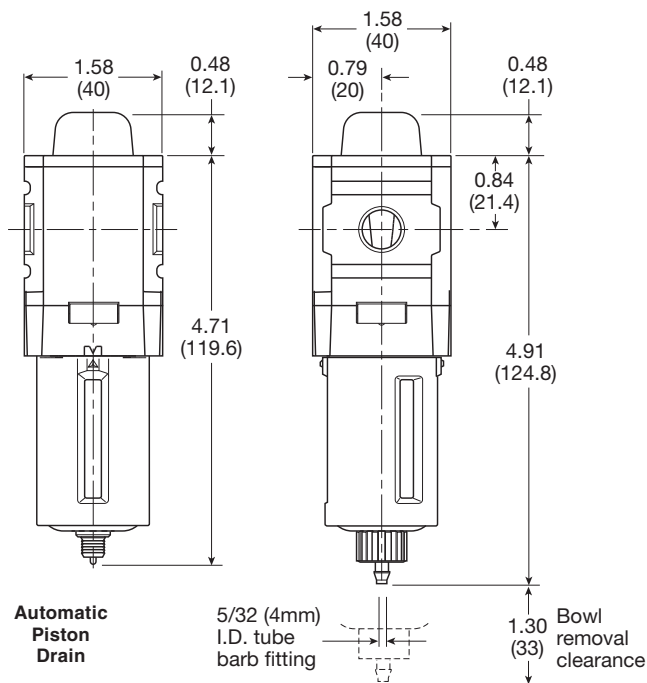
“M” Series Adsorption Filters, with Type “D” 0.003 micron activated carbon elements: All Wilkerson Type “M” adsorption filters with Type “D” 0.003 micron activated carbon elements exceed ISO Class 1 on maximum oil content (ppm/wt).

Materials of Construction

Body	Aluminum	
Body Cap	ABS	
Bowl	Plastic Bowl	Polycarbonate
	Metal Bowl	Aluminum
Filter Element	Type “B”, “C”	Borosilicate Cloth
	Type “D”	Activated Carbon
Seals	Nitrile	

Notes: To optimize the life of the coalescing element, it is advisable to install a pre-filter with a 5 micron element upstream of the coalescing filter.

To optimize the life of the adsorber element, it is advisable to install a coalescing 0.01 micron filter upstream of the adsorber filter.



Inches (mm)

= "Most Popular"

Replacement Bowl Kits

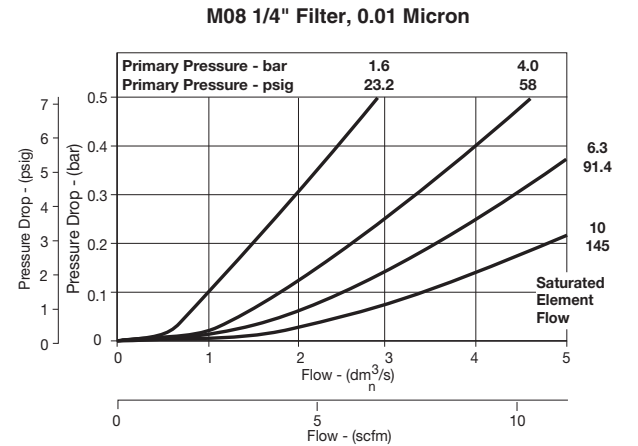
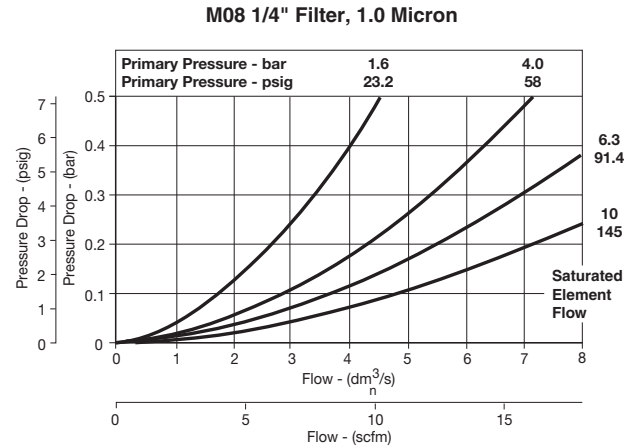
- Metal Bowl, Manual Drain.....GRP-96-714
- Plastic Bowl / Bowl Guard, Manual Drain.....GRP-96-712

Replacement Element Kits

- Type "B", 0.5 Micron..... MSP-96-732
- Type "C", 0.01 Micron..... MTP-96-649
- Type "D", 0.003 Micron, Activated Carbon MXP-96-222

Accessories

- Automatic Piston DrainGRP-96-716
- Wall Mounting Bracket –
- C-Type GPA-97-010
- T-Type GPA-96-737



B
Filters, Regulators, Lubricators

Ordering Information

Model Type	Port Size	Plastic Bowl / Bowl Guard / C Element	Plastic Bowl / Bowl Guard / B Element	Plastic Bowl / Bowl Guard / D Element	Metal Bowl / C Element	Metal Bowl / B Element	Metal Bowl / D Element
Manual Drain	1/4	M08-02-CK00B	M08-02-BK00B	M08-02-DK00B	M08-02-CL00B	M08-02-BL00B	M08-02-DL00B
Automatic Piston Drain	1/4	M08-02-CR00B	M08-02-BR00B	M08-02-DR00B	M08-02-CS00B	M08-02-BS00B	M08-02-DS00B

Options - To order an option supplied with the unit model, add the appropriate coded suffix letter in the designated position of the model number.