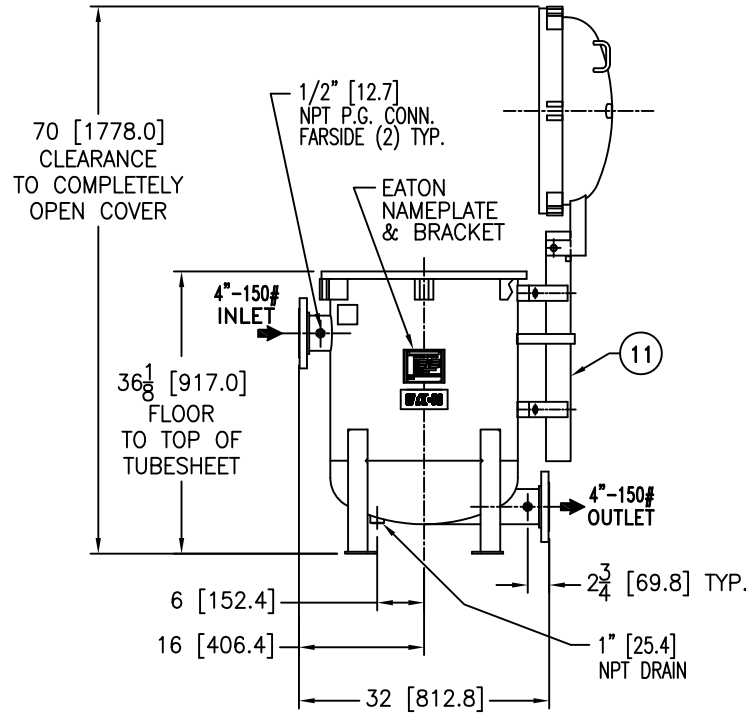
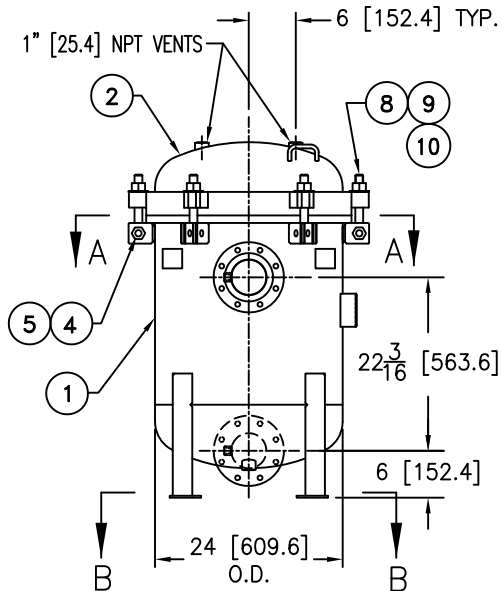
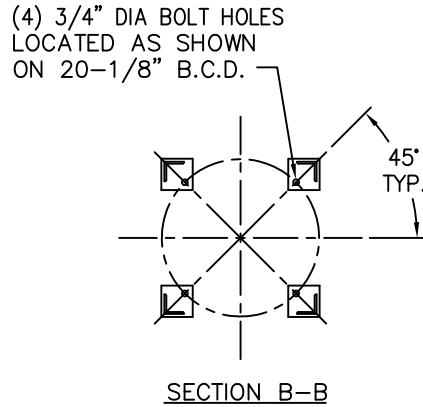
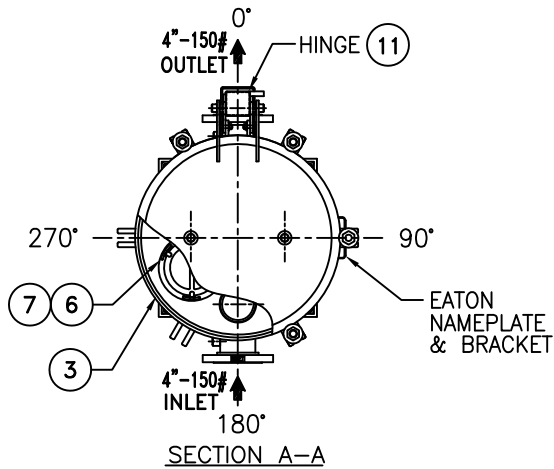


REVISIONS

REV	DESCRIPTION	BY	ECO	DATE
G	UPDATE DRAWING	FJM	0084598	04/26/13



ITEM	PART NAME	MATERIAL
1	BODY	SA53 GR E/B
2	COVER	SA516 GR 70
3	O-RING P/N 2375035093	BUNA-N
4	PIN	SA193 B7 ZINC PL
5	SNAP RING	STEEL ZINC PL
6	BASKET RESTRAINER P/N L0001753	316 SS
7	FILTER BAG RETAINER	316 SS
8	EYE BOLT	SA193 B7 ZINC PL
9	HEX NUT	SA194 2H ZINC PL
10	WASHER	STEEL ZINC PL
11	SPRING ASSISTED MECHANISM	STAINLESS STEEL

NOTES:

- UNITS ARE TO BE DESIGNED, FABRICATED & "U" STAMPED IN ACCORDANCE WITH ASME SECT. VIII, DIV. 1 BOILER & PRESSURE VESSEL CODE, IN COMPLIANCE TO LATEST ADDENDA.
- INLET / OUTLET FLANGE CONNECTIONS PER ANSI B 16.5.
- DESIGN PRESSURE: 150 PSI (MAWP)
DESIGN TEMPERATURE 250° F.
MDMT - -20° F @ 150 PSI.
- ALL DIMENSIONS ARE IN INCHES / (MM).
- ALL BOLT HOLES ARE TO STRADDLE NATURAL CENTERLINES.
- APPROX. WEIGHT (DRY) 615 LB. (278 kgs)
- APPROX. SHIPPING WEIGHT 735 LBS. (333 kgs)
- PAINT PER EATON STANDARD ES-301.

VESSEL CODE: MBF-0402-CS10-040A-UT-13HE

TOLERANCES (UNLESS OTHERWISE SPECIFIED)	
DECIMAL:	.X ± .030 .XX ± .010 .XXX ± .005
FRACTIONAL:	± 1/16
NOZZLE Ø TO FLOOR:	3/8" < 4" > 1/2"
FACE TO FACE:	1/8" < 4" > 1/2"
ANGULAR:	± 1°
FLANGES (H/V):	± 1/2°
VESSEL OVERALL HT:	1"

REVIEWED FOR CLASSIFICATION PER PR-4
CRITICAL SIGNIFICANT

CUSTOMER INFO	
NAME	
P.O. NO.	
S.O. NO.	
QUANTITY	
PART NO.	F3AV0400002

DRAWN BY	SD
SCALE	AS DRAWN
RESTRICTION	RESTRICTION
SHEET	1 OF 1
PROJECTION	THIRD ANGLE

		EATON FILTRATION, LLC DESIGN CENTER TINTON FALLS, NEW JERSEY, USA • PORTAGE, MICHIGAN, USA	
TITLE		MAXILINE (MBF-0402HE) FILTER VESSEL 4" 150# RF INLET/TANGENTIAL OUTLET CARBON STEEL W/BUNA O-RING	
DATE	SIZE	DWG FILENAME	REV
08/31/00	A	HE0404TC	G

EATON CORPORATION - CONFIDENTIAL AND PROPRIETARY NOTICE TO PERSONS RECEIVING THIS DRAWING AND/OR TECHNICAL INFORMATION
THIS DOCUMENT, INCLUDING THE DRAWING AND INFORMATION CONTAINED THEREON IS CONFIDENTIAL AND IS THE EXCLUSIVE PROPERTY OF EATON AT ANY TIME. BY TAKING THE POSSESSION OF THIS DOCUMENT THE RECIPIENT ACKNOWLEDGES AND AGREES THAT THIS DOCUMENT CANNOT BE USED IN ANY MANNER ADVERSE TO THE INTEREST OF EATON AND THAT NO PORTION OF THIS DRAWING MAY BE COPIED OR OTHERWISE REPRODUCED WITHOUT THE PRIOR WRITTEN CONSENT OF EATON, IN THE CASE OF CONFLICT CONTRACTUAL PROVISIONS, THIS NOTICE SHALL GOVERN THE STATUS OF THIS DOCUMENT.
2014 EATON CORPORATION - ALL RIGHTS RESERVED.