

Ball Valves

Bi-Flow CO₂ Valves



Customer Value Proposition:

Parker Bi-Flow CO₂ Ball valves are available for application on transcritical circuit and for high pressure side. OBL/OBH, with maximum working pressure of 70/120 bar with K65* connections, are available in a range of metric sizes from 6 to 54 mm and imperial sizes from 1/4" to 2-1/8".

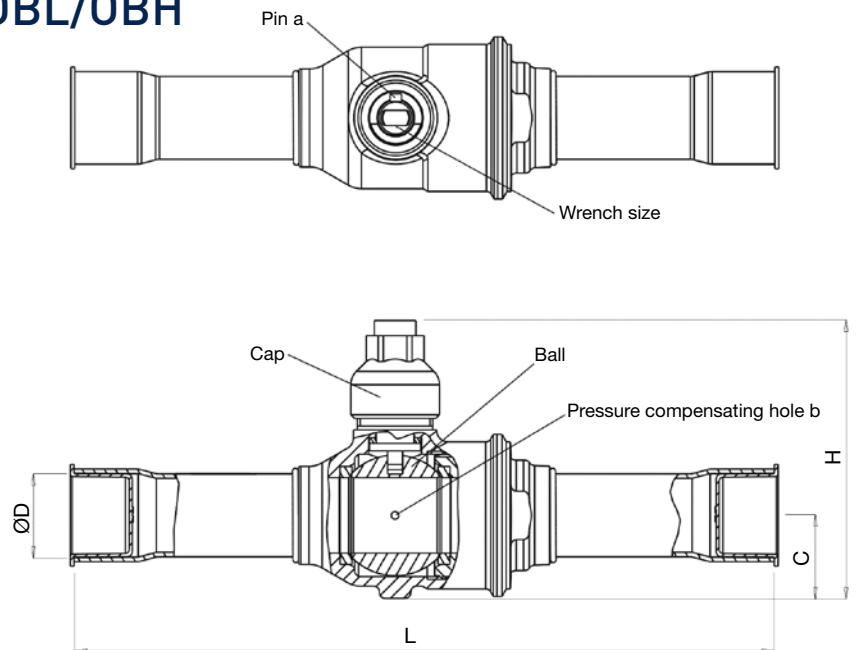
* Starting from 15mm - 5/8"

Main features

Ball: a small hole in one sealing face of the ball prevents refrigerant being locked within the ball when closed. It also allows the ball to exert a greater force against the Teflon Ball seal when closed, giving greater close-off safety.

Cap: brass cap thread is broached to ensure adequate venting when the cap is removed. The cap is also tagged to accommodate wiring and sealing where legislation demands.

OBL/OBH



Applications:

- Supermarkets
- Refrigeration

Advantages:

- Compact
- Reliable
- Vented cap
- Long life



ENGINEERING YOUR SUCCESS.

TECHNICAL DATA

	OBL	Description	For tube O.D. mm	Bore Diameter mm	L mm	C mm	H mm	Kv m ³ /h
Metric Reference	OBL6mm	BV CO ₂ 70bar 6mm	6	10	126	13	51	1,6
	OBL8mm	BV CO ₂ 70bar 8mm	8	10	132	13	51	4,2
	OBL10mm	BV CO ₂ 70bar 10mm	10	10	132	13	51	5,3
	OBL12mm	BV CO ₂ 70bar 12mm	12	10	140	13	51	6,6
	OBL15mm	BV CO ₂ 70bar 15mm	15	16	146	18,5	64	13
	OBL5	BV CO ₂ 70bar 5/8" & 16mm	16	16	146	18,5	64	13
	OBL18mm	BV CO ₂ 70bar 18mm	18	16	146	18,5	64	17
	OBL22mm	BV CO ₂ 70bar 22mm	22	20	185	21	74	26
	OBL28mm	BV CO ₂ 70bar 28mm	28	25	205	26	80	41
	OBL11	BV CO ₂ 70bar 1 3/8" & 35mm	35	32	208	32	95	86
Inches Reference	OBL2	BV CO ₂ 70bar 1/4"	1/4"	10	126	13	51	1,6
	OBL3	BV CO ₂ 70bar 3/8"	3/8"	10	132	13	51	5,3
	OBL4	BV CO ₂ 70bar 1/2"	1/2"	10	140	13	51	6,6
	OBL5	BV CO ₂ 70bar 5/8" & 16mm	5/8"	16	146	18,5	64	13
	OBL6	BV CO ₂ 70bar 3/4"	3/4"	16	146	18,5	64	17
	OBL7	BV CO ₂ 70bar 7/8"	7/8"	20	185	21	74	26
	OBL9	BV CO ₂ 70bar 1 1/8"	1 1/8"	25	205	26	80	41
	OBL11	BV CO ₂ 70bar 1 3/8" & 35mm	1 3/8"	32	208	32	95	86

	OBH	Description	For tube O.D. mm	Bore Diameter mm	L mm	C mm	H mm	Kv m ³ /h
Metric Reference	OBH6mm	BV CO ₂ 120bar 6mm	6	10	126	13	51	1,6
	OBH8mm	BV CO ₂ 120bar 8mm	8	10	132	13	51	4,2
	OBH10mm	BV CO ₂ 120bar 10mm	10	10	132	13	51	5,3
	OBH12mm	BV CO ₂ 120bar 12mm	12	10	140	13	51	6,6
	OBH15mm	BV CO ₂ 120bar 15mm	15	16	146	18,5	64	13
	OBH5	BV CO ₂ 120bar 5/8" & 16mm	16	16	146	18,5	64	13
	OBH18mm	BV CO ₂ 120bar 18mm	18	16	146	18,5	64	17
	OBH22mm	BV CO ₂ 120bar 22mm	22	20	185	22	74	26
	OBH28mm	BV CO ₂ 120bar 28mm	28	25	205	26	80	41
	OBH11	BV CO ₂ 120bar 1 3/8" & 35mm	35	32	208	32	95	86
	OBH42mm	BV CO ₂ 120bar 42mm	42	38	242	38,5	117	110
	OBH17	BV CO ₂ 120bar 2 1/8" & 54mm	54	50	273	48,5	134	208
	Inches Reference	OBH2	BV CO ₂ 120bar 1/4"	1/4"	10	126	13	51
OBH3		BV CO ₂ 120bar 3/8"	3/8"	10	132	13	51	5,3
OBH4		BV CO ₂ 120bar 1/2"	1/2"	10	140	13	51	6,6
OBH5		BV CO ₂ 120bar 5/8" & 16mm	5/8"	16	146	18,5	64	13
OBH6		BV CO ₂ 120bar 3/4"	3/4"	16	146	18,5	64	17
OBH7		BV CO ₂ 120bar 7/8"	7/8"	20	185	22	74	26
OBH9		BV CO ₂ 120bar 1 1/8"	1 1/8"	25	205	26	80	41
OBH11		BV CO ₂ 120bar 1 3/8" & 35mm	1 3/8"	32	208	32	95	86