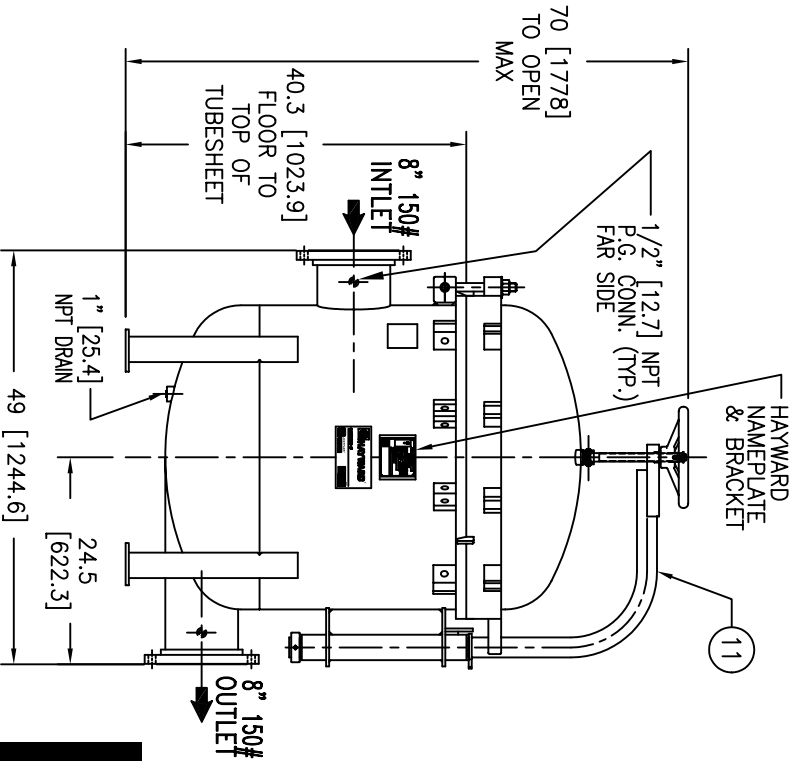
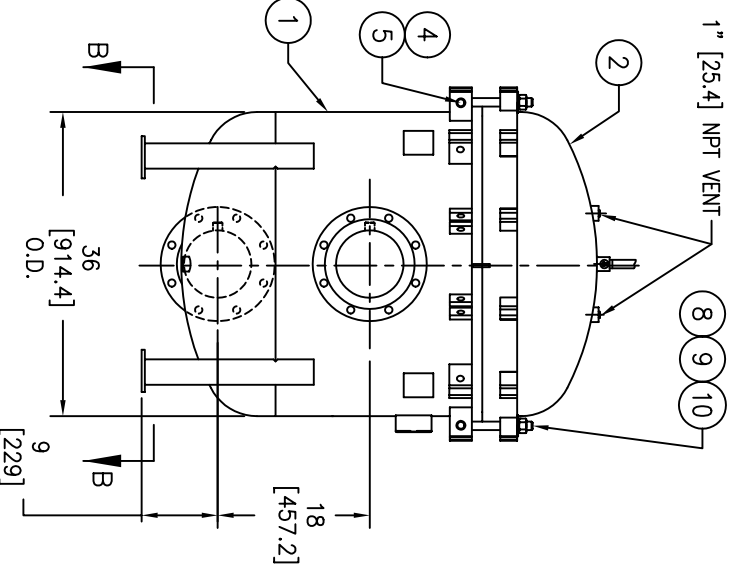


(4) 7/8" [22.0] BOLT HOLES
LOCATED ON 32.130 [816.0] B.C.

ITEM	PART NAME	MATERIAL
1	BODY	SA240 316/316L
2	COVER	SA240 316/316L
3	O-RING	BUNA-N
4	PIN	SA193 B7 ZINC PL
5	SNAP RING	STEEL ZINC PL
6	BASKET RESTRAINER	316 SS
7	FILTER BAG RETAINER	316 SS
8	EYE BOLT	SA193 B7 ZINC PL
9	HEX NUT	SA194 2H ZINC PL
10	WASHER	STEEL ZINC PL
11	DAVIT ASSEMBLY	CARBON STEEL

1/2" [12.7] NPT-
P.G. CONN. (TYP.)
INLET & OUTLET



NOTES:

1. UNITS ARE TO BE DESIGNED, FABRICATED & "U" STAMPED IN ACCORDANCE WITH ASME SECT. VIII, DIV. 1 BOILER & PRESSURE VESSEL CODE, IN COMPLIANCE TO LATEST ADDENDA.
2. INLET / OUTLET FLANGE CONNECTIONS PER ANSI B 16.5.
3. DESIGN PRESSURE: 150 PSI (MAMP)
DESIGN TEMPERATURE 250° F.
MDMT - -20° F @ 150 PSI.
4. ALL DIMENSIONS ARE IN INCHES / (MM).
5. ALL BOLT HOLES ARE TO STRADDLE NATURAL CENTERLINES.
6. APPROX. WEIGHT (DRY) 1400 LB. (635 KG.)
7. PAINT C/STL. PER HAYWARD STANDARD ES-301.

CERTIFIED FOR: HOWELL PIPE & SUPPLY
P.O. NO.: 16576-00
REG. NO.: 230762
QUOTE NO.:
TAG NO.:
VESSEL CODE: MBF-1002-AB10-080A-UT-11HD
HAYWARD PART NO.: F3AV1000210



HAYWARD INDUSTRIAL PRODUCTS, INC.
Manufacturers of LOEFFLER FILTRATION & GAFa FILTER SYSTEMS
900 FAIRMOUNT AVENUE, ELIZABETH, NEW JERSEY 07207
NAME: MAXILINE MBF1002HD FILTER VESSEL
8" 150# RF INLET / TANGENTIAL OUTLET
STAINLESS STEEL

ELECTRONIC FILE NAME: HD1008TS.DWG
REF: ECR C397 DATE 06/22/04

UNAUTHORIZED USE, MANUFACTURE OR REPRODUCTION IN WHOLE OR IN PART IS PROHIBITED. DRAWING, DESIGN AND OTHER DISCLOSURES PROPERTY OF HAYWARD INDUSTRIAL PRODUCTS, INC.

DRAWN	FJM	DATE	CERT.	LH	DATE	REV
A		06/22/04			06/22/04	A

HD1008TS

GAF and the GAF logo are registered trademarks of GAF Corporation in the United States, and are used under licenses.
REV R/7/01