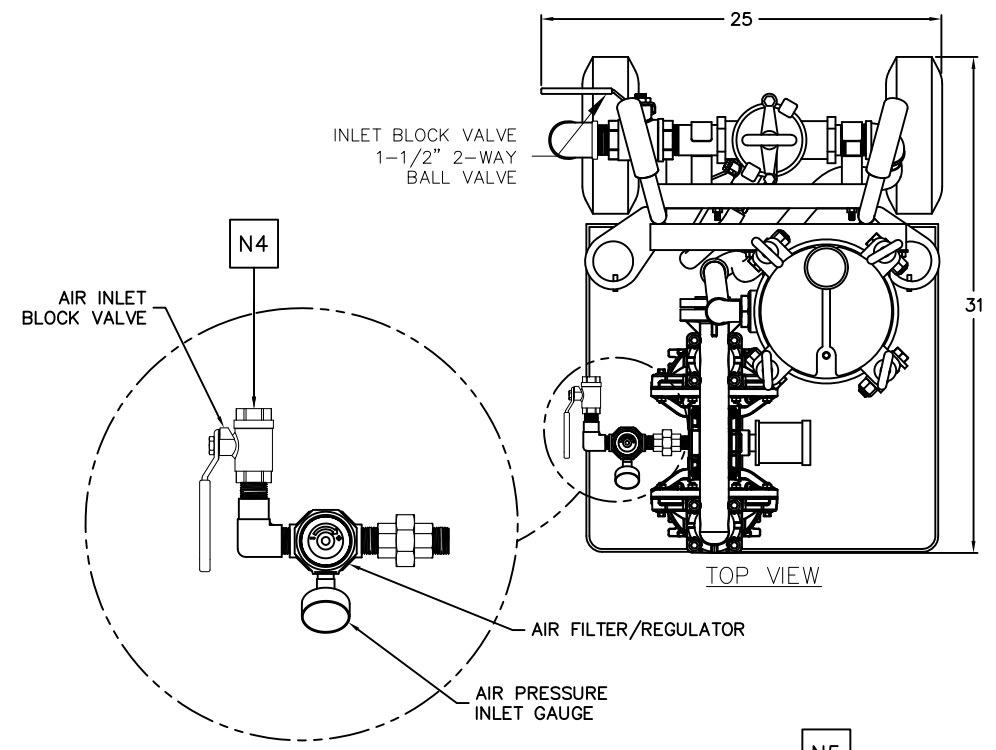
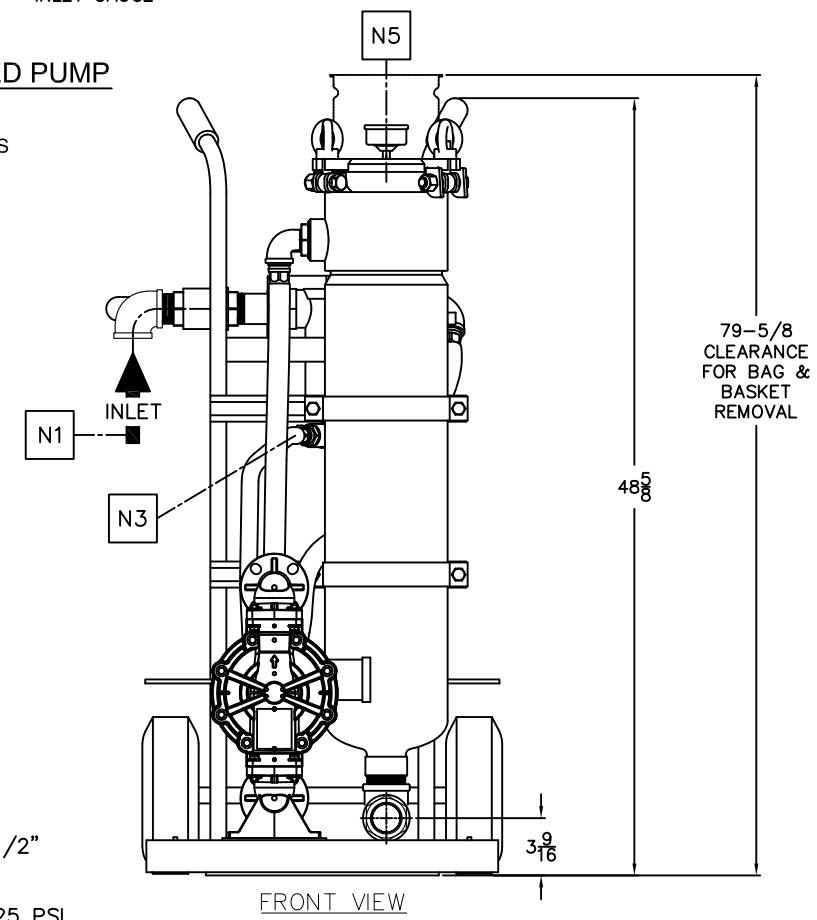


NOZZLE SCHEDULE					
MARK	SIZE	TYPE	RATING	NECK	SERVICE
N1	1-1/2"	NPTI	-	-	INLET
N2	1-1/2"	NPTI	-	-	OUTLET
N3	3/4"	NPTI	-	-	DRAIN
N4	1/2"	NPTI	-	-	AIR INLET TO AIR OPERATED DIAPHRAGM PUMP
N5	1/4"	NPTI	-	-	PRESSURE GAUGE AT FILTER
N6	1/4"	NPTI	-	-	PLUGGED PORT IN LID

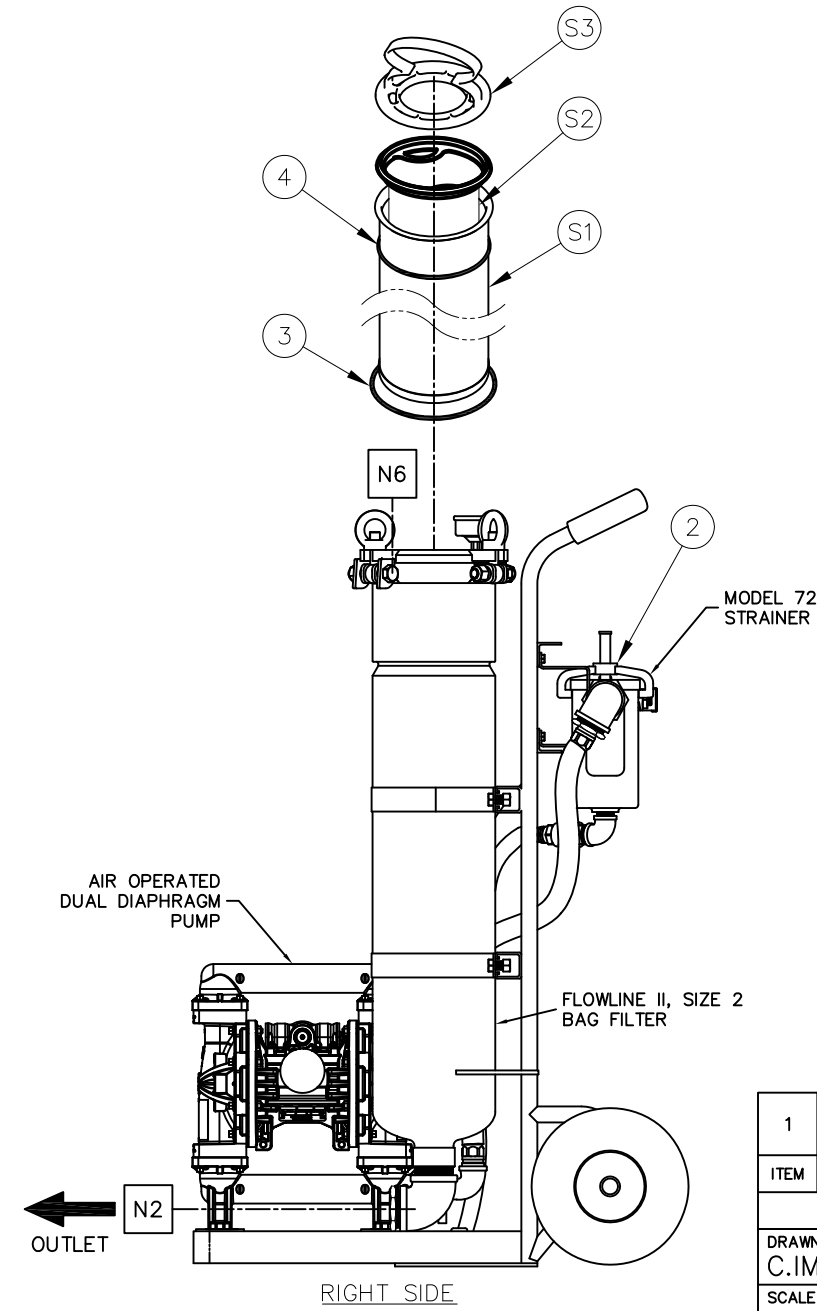
REVISIONS				
REV	DESCRIPTION	BY	ECO	DATE
A	SALES DRAWING	CLI	0076559	4OCT2012
B	REVISED SPARE PARTS	CLI	---	15JAN2013
C	REVISED SPARE PARTS	CLI	0082337	1MAR2013



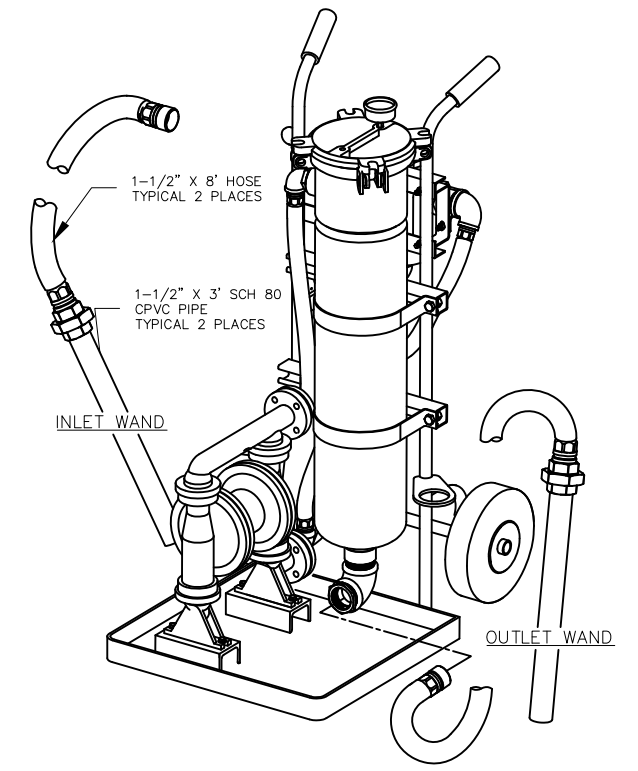
**AIR SUPPLY TO AIR POWERED PUMP
DETAIL**
REFER TO NOTES FOR DETAILS



FRONT VIEW



RIGHT SIDE



FILTER CART SHOWN WITH
OPTIONAL INLET/OUTLET
WANDS

SPARE PARTS LIST

ITEM	QTY	UM	PART NUMBER	DRAWING NUMBER	DESCRIPTION
S7	1	EA	RPC0000012	F3F000003-VA	HOLD DOWN, LCSBV
S6	1	EA	VARIES	F3F000003-VA	BAG FILTER MEDIA
S5	1	EA	WEE0000009	F3F000003-VA	RESTRAINER BASKET, #2 SIZE 316 S.S.
S4	1	EA	RPC0000006	F3F000003-VA	O-RING, RESTRAINER BASKET, VITON
S3	1	EA	X813445	F3F000003-VA	O-RING, LID SEAL FLOWLINE II, VITON
S2	1	EA	ST26225	F3F000003-VA	O-RING, LID #72 STRAINER, VITON

ITEM	QTY	UM	PART NUMBER	DRAWING NUMBER	DESCRIPTION
1	1	EA	F3F000003-VA	F3F000003-VA	INDUSTRIAL FILTER CART, 316 W/VITON ASSEMBLY DRAWING

- NOTES:
1. INLET/OUTLET CONNECTIONS ARE 1-1/2" NPTI 316 STAINLESS STEEL FITTINGS.
 2. MAWP: 125 PSI @ 150°F (8.6 BAR @ 66°C) MDMT: 32°F @ 125 PSI (0°C @ 8.6 BAR)
 3. AIR OPERATING RANGE: 20 - 125 PSI (1.4 - 8.6 BAR)
 4. RECOMMENDED OPERATING AIR PRESSURE: 30 PSI (2.1 BAR)
 5. UNIT WEIGHT (APPROX.):
EMPTY: 229lbs (104 kg)
FULL (WATER): 287lbs (130.2 kg)

CUSTOMER INFO	
NAME	
P.O. NO.	
TAG NO.	
S.O. NO.	
PART NO.	F3F000003-V

DRAWN BY C.IMANSE		EATON FILTRATION, LLC DESIGN CENTER ISELIN, NEW JERSEY, USA • PORTAGE, MICHIGAN, USA			
SCALE AS DRAWN					
RESTRICTION RESTRICTED		TITLE INDUSTRIAL FILTER CART 316SS W/VITON ELASTOMERS			
SHEET 1 OF 1		DATE 4OCT2012	SIZE B	DWG FILENAME F3F000003-V[1]	REV C
<small>EATON CORPORATION - CONFIDENTIAL AND PROPRIETARY NOTICE TO PERSONS RECEIVING THIS DRAWING AND/OR TECHNICAL INFORMATION THIS DOCUMENT, INCLUDING THE DRAWING AND INFORMATION CONTAINED THEREON IS CONFIDENTIAL AND IS THE EXCLUSIVE PROPERTY OF EATON AT ANY TIME. BY TAKING THE POSSESSION OF THIS DOCUMENT THE RECIPIENT ACKNOWLEDGES AND AGREES THAT THIS DOCUMENT CANNOT BE USED IN ANY MANNER ADVERSE TO THE INTEREST OF EATON AND THAT NO PORTION OF THIS DRAWING MAY BE COPIED OR OTHERWISE REPRODUCED WITHOUT THE PRIOR WRITTEN CONSENT OF EATON, IN THE CASE OF CONFLICTING CONTRACTUAL PROVISIONS, THIS NOTICE SHALL GOVERN THE STATUS OF THIS DOCUMENT. 2014 EATON CORPORATION - ALL RIGHTS RESERVED.</small>					