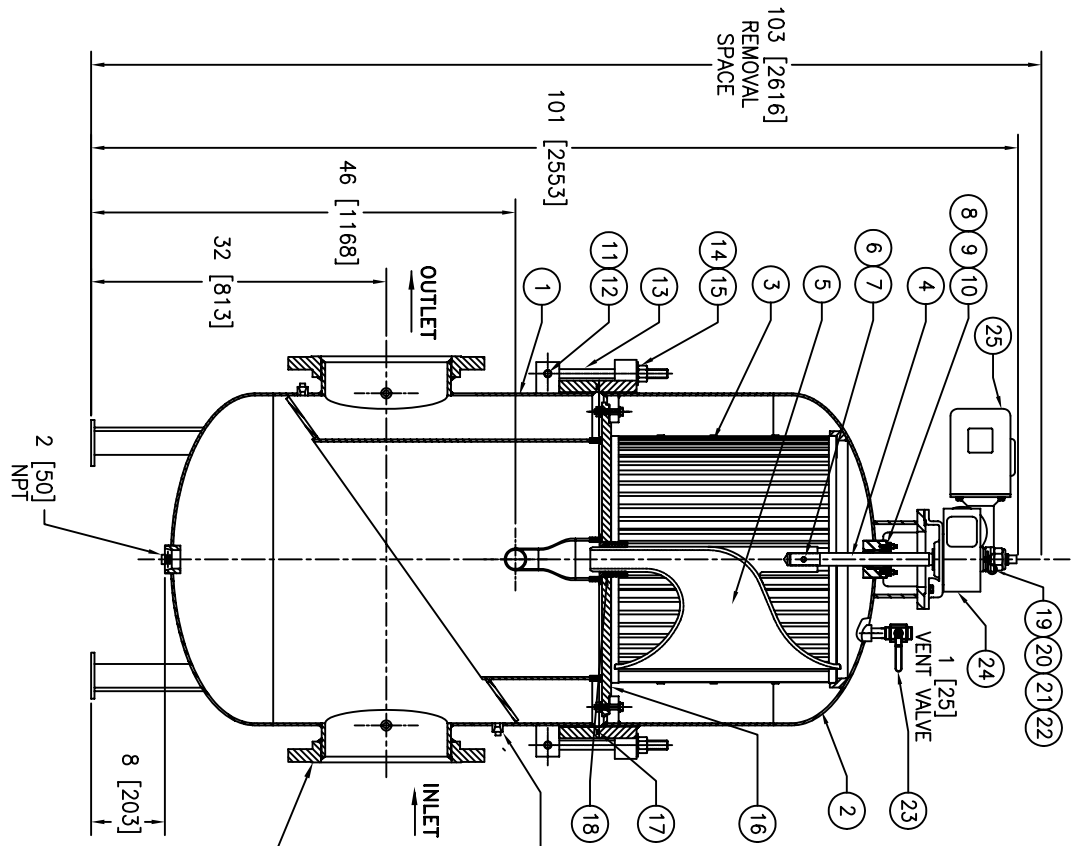
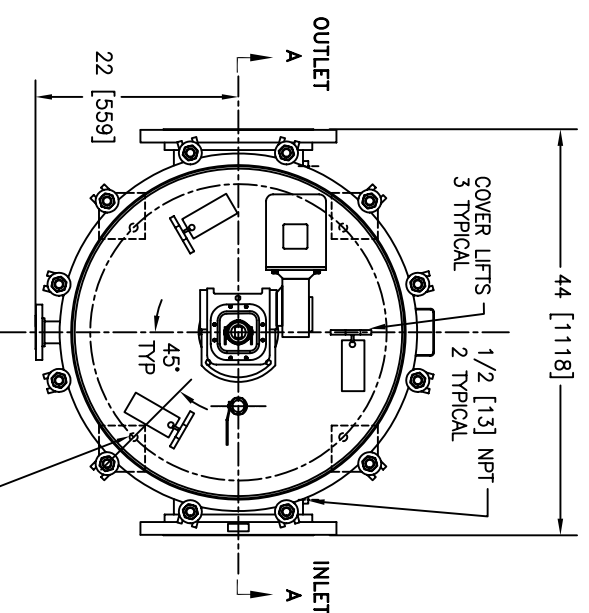


1	BODY	STAINLESS STEEL
2	COVER	STAINLESS STEEL
3	STRAINING ELEMENT	316 STAINLESS STEEL
4	BACKWASH SHAFT	STAINLESS STEEL
5	BACKWASH ARM	STAINLESS STEEL
6	B/W ARM NUT	STAINLESS STEEL
7	B/W ARM DRIVE PIN	STAINLESS STEEL
8	SEAL BEARING HOUSING	STAINLESS STEEL
9	QUAD SEAL	BUNA
10	PILOT PACKING BUSHING	COMPOSITE
11	EYE BOLT PIN	CARBON STL ZINC PL.
12	RETAINING RING	CARBON STL ZINC PL.
13	EYE BOLT	CARBON STL ZINC PL.
14,15	HEX NUT, WASHER	CARBON STL ZINC PL.
16	LOWER SUPPORT RING	STAINLESS STEEL
17	GIRTH O-RING	NITRILE
18	LOWER BUSHING	COMPOSITE
19	SHAFT DRIVE PIN	STAINLESS STEEL
20	COTTER PIN	STAINLESS STEEL
21,22	STOP NUT, SPACER	CARBON STEEL
23	VENT VALVE, NIPPLE	STAINLESS STEEL
24	GEAR REDUCER	CAST IRON
25	MOTOR	1/4 HP



2 [50] ANSI CLASS 150 RF FLANGE BACKWASH CONNECTION

(4) HOLES 7/8" [22] BOLT CIRCLE 32.13" [816] (4 TYPICAL)

NOTES:

1. ALL DIMENSIONS ARE INCH [MM].
2. FOR REPLACEMENT PARTS, MODEL NO., SIZE & SERIAL NO. FROM THE STRAINER NAMEPLATE MUST BE FURNISHED.
3. DESIGN PRESSURE: 150 PSI @ 150°F [10.3 BARS @ 65.5°C]
4. INTERNAL COATING: NONE
5. EXTERNAL COATING: NONE
6. WEIGHTS: DRY 2000 LBS, COVER 850 LBS, FLOODED 4400 LBS [DRY 907 KGS, COVER 386 KGS, FLOODED 1996 KGS]
7. PART NO.: 25961402200PS

CERTIFIED FOR:

QUOTE NO.:
P.O. NO.:
S.O. NO.:
NO. OF STRAINERS:
STRAINING ELEMENT:

ELECTRONIC FILE NAME: SD259602PPS.DWG
REF. ECR D507 DATE 11/1/05

UNAUTHORIZED USE, MANUFACTURE OR REPRODUCTION IN WHOLE OR IN PART IS PROHIBITED. DRAWING, DESIGN AND OTHER DISCLOSURES PROPERTY OF EATON FILTRATION, LLC

	EATON FILTRATION, LLC 900 FARMOUNT AVENUE, ELIZABETH, NEW JERSEY 07207
	NAME: 1.4" [350] MODEL 2596 AUTOMATIC STRAINER - FABRICATED STAINLESS STEEL - QUAD SEAL
DRAWN: FM DATE: 11/18/02 CERT: LH DATE: 11/18/02	SIZE: A DWG NO: SD259602PPS REV: C